

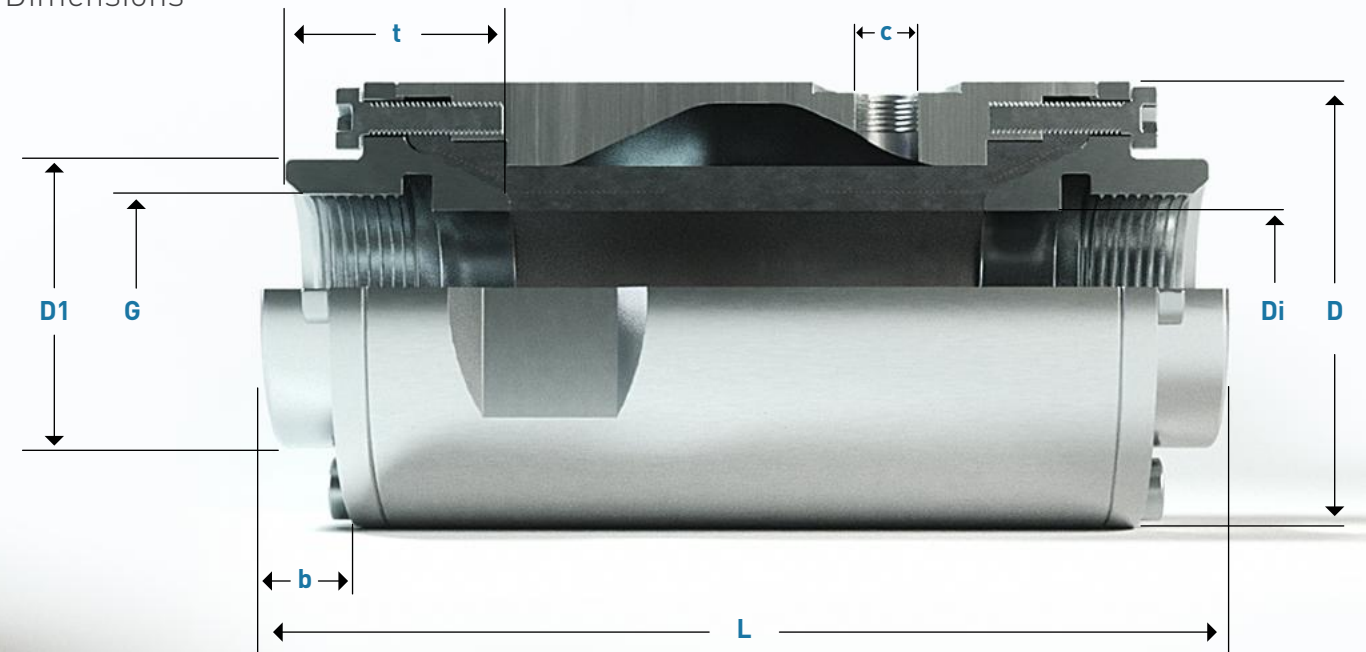


# SERIES 70

Nominal widths: **G 3/8", 1/2", 3/4", 1", 1 1/4", 1 1/2", 2", 2 1/2"**  
 Especially suitable for: **pharmaceutical, chemical and food industry**



## Dimensions



DN	DI	G	t	D	D1	L	c	Vol. l'	kg
10	10	G 3/8"	12	38	22	80	M5	0,03	0,40
15	15	G 1/2"	14	44	27	95	G 1/8"	0,04	0,60
20	20	G 3/4"	17	55	34	110	G 1/8"	0,05	0,80
25	25	G 1"	20	60	39	125	G 1/8"	0,07	1,10
32	32	G 1 1/4"	20	73	50	140	G 1/8"	0,10	1,70
40	40	G 1 1/2"	20	83	58	150	G 1/8"	0,13	2,20
50	50	G 2"	25	99	70	185	G 1/4"	0,28	3,70
65	65	G 2 1/2"	28	119	86	230	G 1/4"	0,49	6,30

Vol. l' - Control volume for closed valve

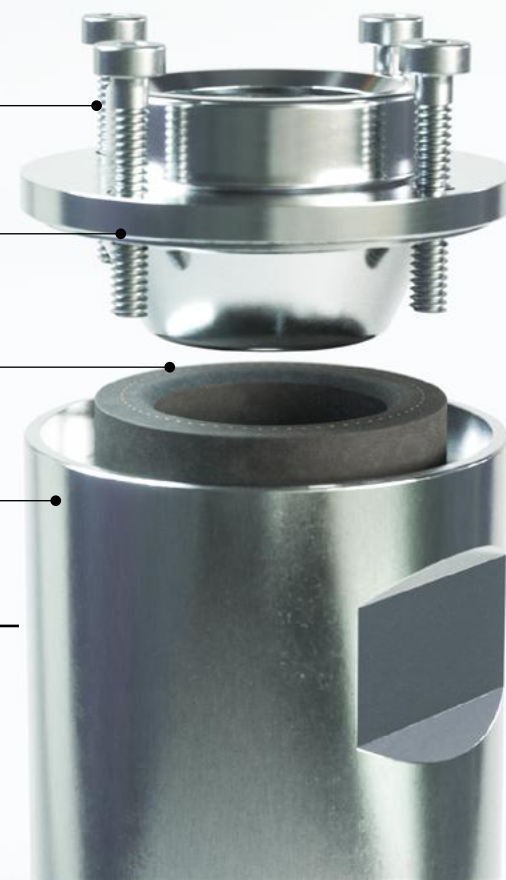
## Material specifications

**Screws**  
Stainless steel A4

**threaded cover**  
Stainless steel 1.4404

**Sleeve**  
as selected

**Housing** (not in contact with medium)  
stainless steel 1.4404



Special versions on request

Assembly videos, service instructions, spare parts, conformities etc. see: [ho-matic.ch/downloads](http://ho-matic.ch/downloads)

## Article number

Series	DN	Sleeve   Quality							Version		
		NR	NR-L	NR-LH	NBR-LH	EPDM-L	FPM	CR	CSM	Standard	
70	010.	001.	011.	021.	121.	212.	303.	401.	501.	000	
	015.										
	020.										
	025.										
	032.										
	040.										
ATEX-Versions:							NR-E	NR-LE	NBR-LE	EPDM-LE	ATEX
050.	031.	061.	161.	262.	000						
065.											

## Example orders

Valve complete: 70040.001.000 | Sleeve: 7040.001.000 | Spare parts:

## Control | Accessories

