

SERIES 60

Nominal widths: **G 1/4"**

Especially suitable for: **medical engineering and microdosing**



www.ho-matic.ch

Material specifications

screw connection
stainless steel 1.4404

O-Ring
nitrile rubber NBR

Sleeve
as selected [🔗](#)

Clamping cone
POM plastic (polyoxymethylene), natural white

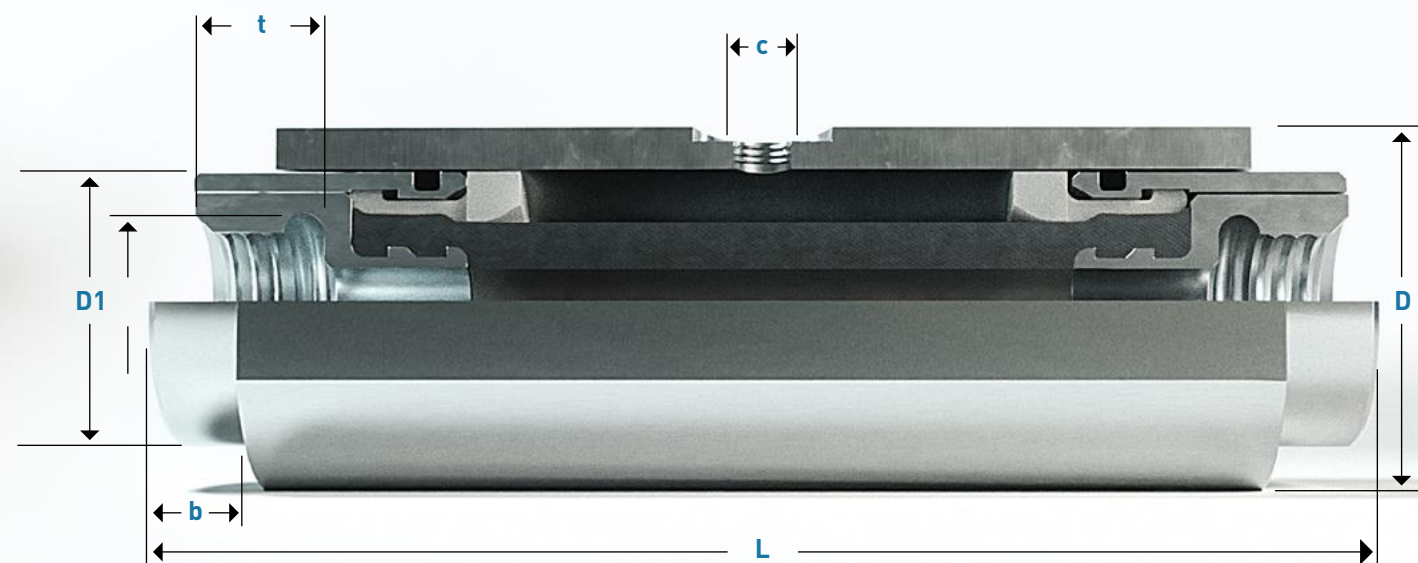
Housing (not in contact with medium)
stainless steel 1.4404

Special versions on request

Assembly videos, service instructions, spare parts, conformities etc. see: ho-matic.ch/downloads [🔗](#)



Dimensions



DN	DI	G	t	D	D1	L	b	c	Vol. l ¹	kg
06	6	G 1/4"	9,5	26	20	70	5	M5	0,01	0,16

Vol. l¹ - Control volume for closed valve

Article number

Series	DN	Sleeve Quality								Version
		NR	NR-L	NR-LH	NBR	EPDM-L	FPM	CR	CSM	Standard
60	006.	001.	011.	021.	121.	212.	303.	401.	501.	000

Example orders

Valve complete: 60006.001.000 | **Sleeve:** 6006.001.000 | **Spare parts:**

Control | Accessories

