



SERIES 50

Nominal widths: **G 1½", 2", 2½"**
 Especially suitable for: **railroad industry and apparatus engineering**



www.ho-matic.ch

Material specifications

threaded ring
 POM plastic (polyoxymethylene), natural white

clamping ring
 POM plastic (polyoxymethylene), natural white

Sleeve
 as selected

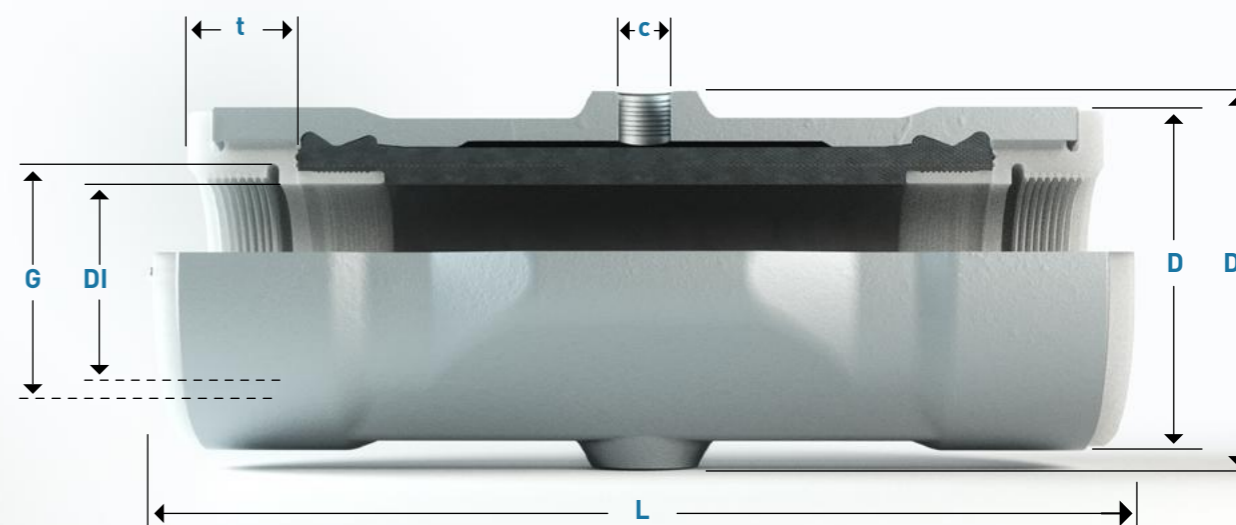
Housing (not in contact with medium)
 aluminium casting G-Al Si 7 Mg, powder-coated silver grey



Special versions on request

Assembly videos, service instructions, spare parts, conformities etc. see: ho-matic.ch/downloads

Dimensions



DN	DI	G	t	D	D1	L	c	Vol. l'	kg
40	40	G 1½"	20	75	86	200	G ¼"	0,13	1,00
50	50	G 2"	22	89	98	213	G ¼"	0,24	1,50
65	65	G 2½"	24	110	122	248	G ¼"	0,53	2,30

Vol. l' - Control volume for closed valve

Article number

Series	DN	Sleeve Quality								Version
		NR	NR-L	NR-LH	NBR-LH	EPDM-L	FPM	CR	CSM	Standard
50	040.	000.	010.	020.	120.	212.	303.	400.	500.	000
	050.									
	065.									

Example orders

Valve complete: 50040.000.000 | Sleeve: 5040.000.000 | Spare parts:

Control | Accessories

