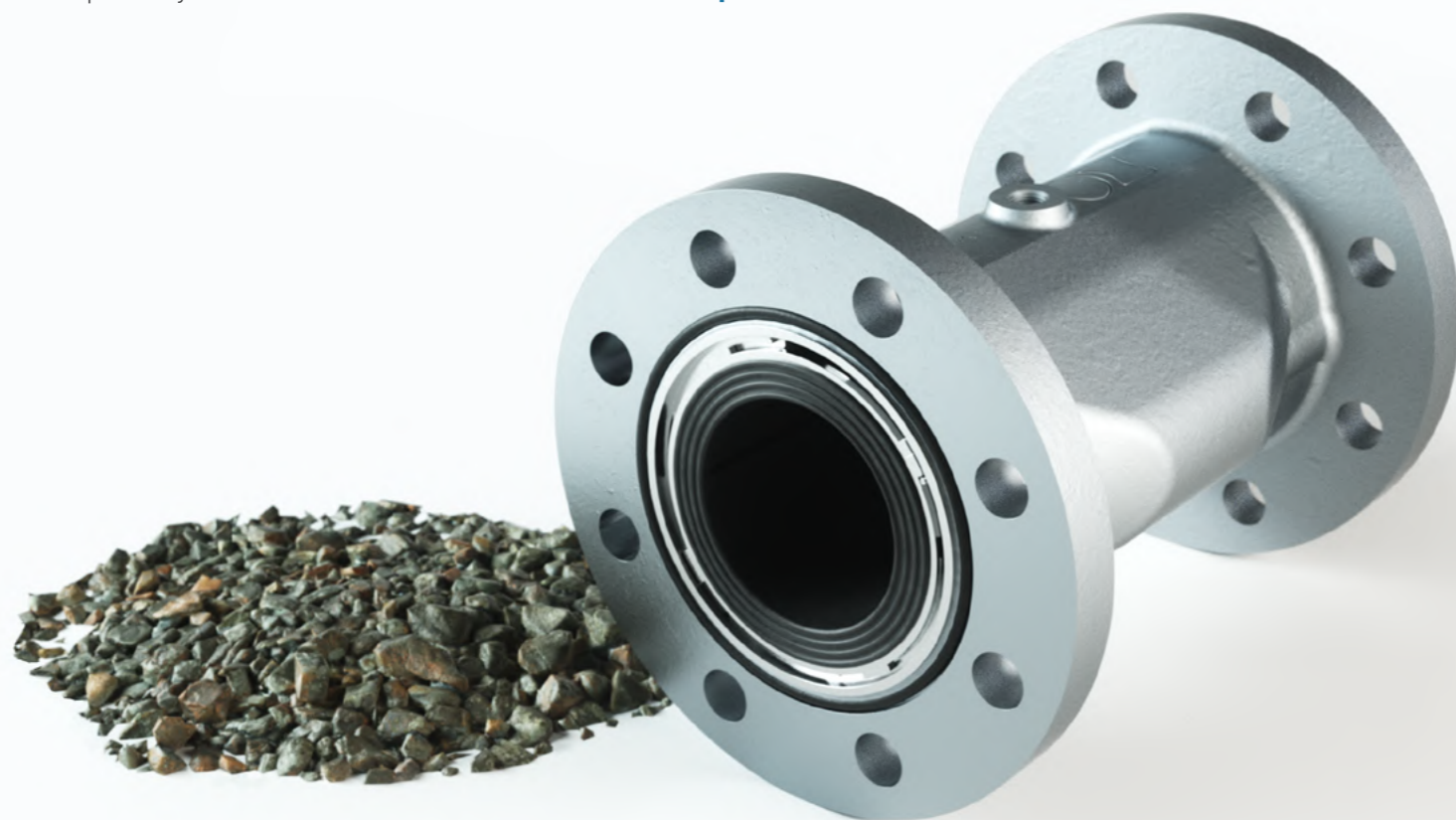


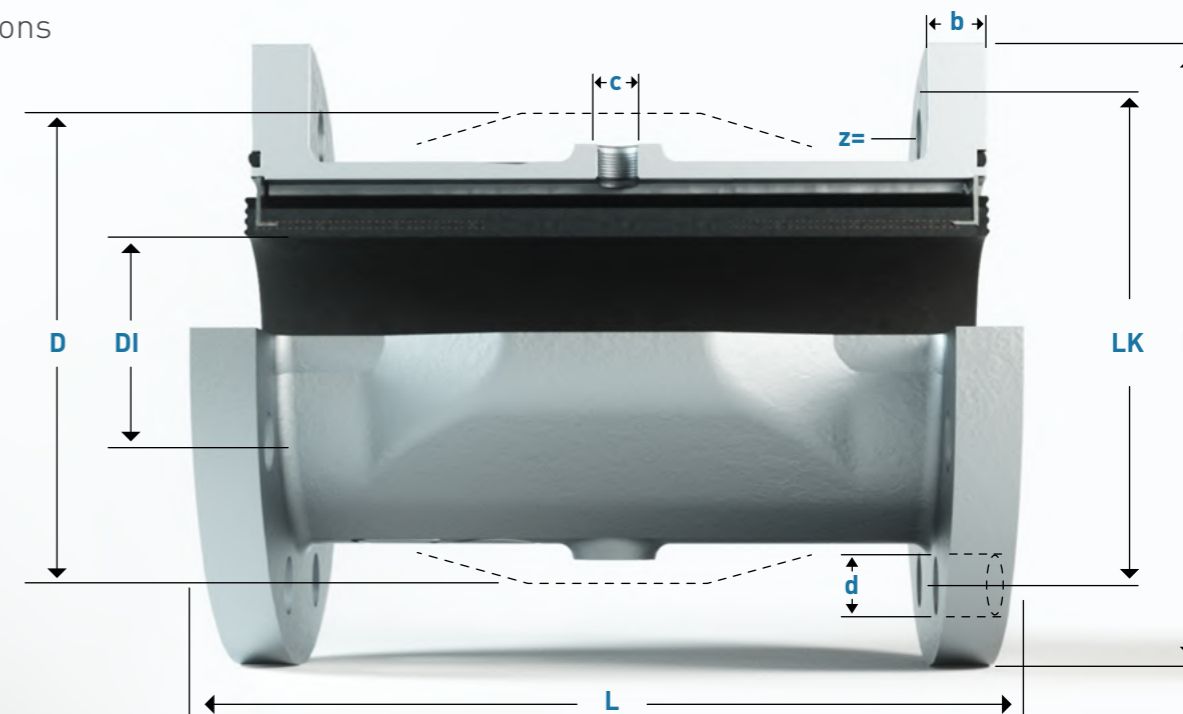


# SERIES 41

Nominal widths: **DN50, 65, 80, 100, 125, 155, acc. DIN PN 10/16**  
 Especially suitable for: **abrasive and delicate products**



## Dimensions



DN	DI	D	L	F	LK	d	z	b	c	Vol. l'	kg
50	50	100	165	165	125	18	4	17	G 1/4"	0,22	2,50
65	65	124	185	185	145	18	4	17	G 1/4"	0,49	3,30
80	80	152	225	200	160	18	8	18	G 1/4"	0,95	4,50
100	100	186	280	220	180	18	8	20	G 3/8"	1,80	6,60
125	125	230	350	250	210	18	8	22	G 3/8"	3,30	11,50
155	150	270	420	285	240	22	8	24	G 3/8"	6,40	17,00

Vol. l' - Control volume for closed valve

## Material specifications

**Sleeve**  
as selected

**O-Ring**  
nitrile rubber NBR

**Housing** (not in contact with medium)  
aluminium casting G-Al Si 7 Mg, powder-coated silver grey



## Article number

Series	DN	Sleeve   Quality								Version
		NR	NR-L	NR-LH	NBR-LH	EPDM-L	FPM	CR	CSM	Standard
41	050.	001.	011.	021.	121.	201.	301.	401.	501.	000
	065.									
	080.									
	100.									
	125.									
150.	ATEX-Versions:				NR-E	NR-LE	NBR-LE	EPDM-LE	ATEX	
					031.	061.	161.	261.	022	

## Example orders

**Valve complete:** 41080.001.000 | **Sleeve:** 4080.001.000 | **Spare part:**

## Control | Accessories



Special versions on request

Assembly videos, service instructions, spare parts, conformities etc. see: [ho-matic.ch/downloads](http://ho-matic.ch/downloads)