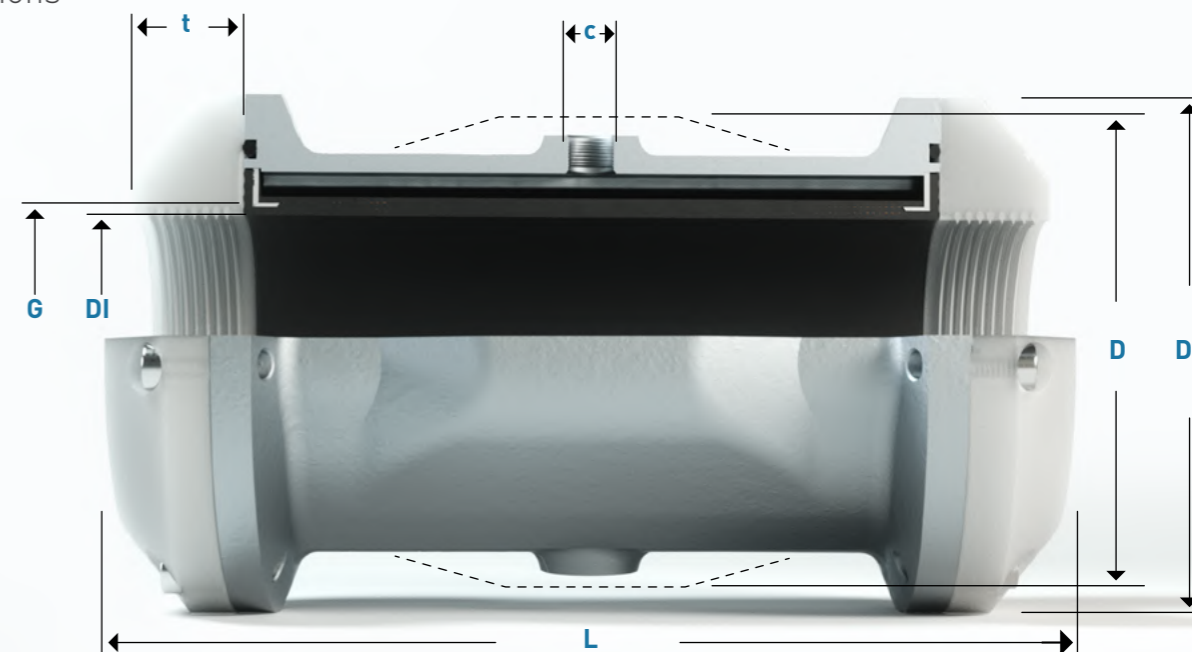


SERIES 40

Nominal widths: **G 2", 2½", 3"**
 Especially suitable for: **abrasive and delicate products**



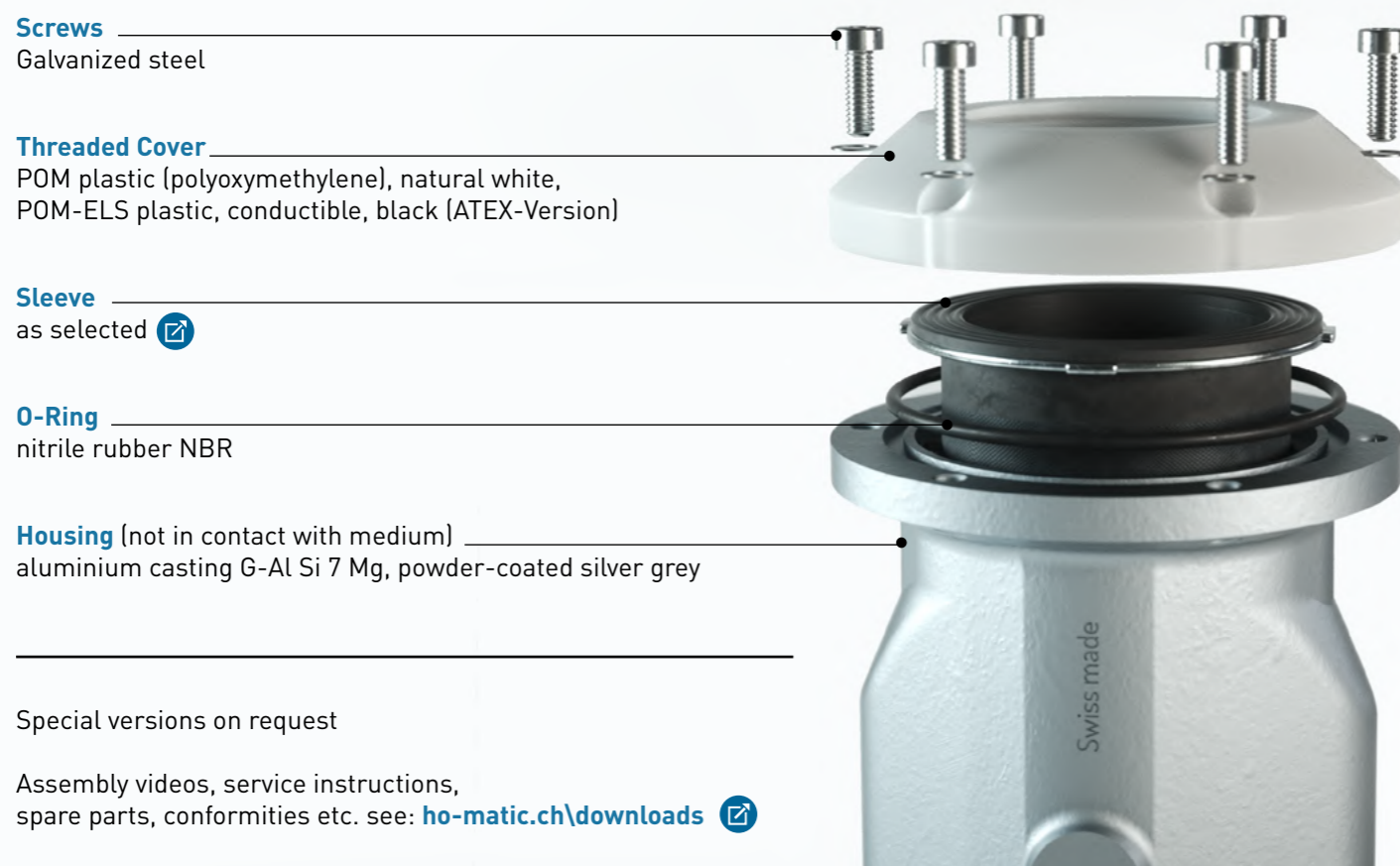
Dimensions



DN	DI	G	t	D	D1	L	c	Vol. l'	kg
50	50	G 2"	25	100	112	215	G ¼"	0,22	2,10
65	65	G 2½"	27,5	124	134	240	G ¼"	0,49	2,80
80	80	G 3"	32,5	152	154	290	G ¼"	0,95	4,20

Vol. l' - Control volume for closed valve

Material specifications



Screws
Galvanized steel

Threaded Cover
POM plastic (polyoxymethylene), natural white,
POM-ELS plastic, conductible, black (ATEX-Version)

Sleeve
as selected

O-Ring
nitrile rubber NBR

Housing (not in contact with medium)
aluminium casting G-Al Si 7 Mg, powder-coated silver grey

Special versions on request

Assembly videos, service instructions,
spare parts, conformities etc. see: ho-matic.ch/downloads

Article number

Series	DN	Sleeve Quality							Version	
		NR	NR-L	NR-LH	NBR-LH	EPDM-L	FPM	CR	CSM	Standard
40	050.	001.	011.	021.	121.	211.	301.	401.	501.	000
	065.	ATEX-Versions:				NR-E	NR-LE	NBR-LE	EPDM-LE	ATEX
	080.	031.	061.	161.	261.	022				

Example orders

Valve complete: 40065.001.000 | Sleeve: 4065.001.000 | Spare part:

Control | Accessories

