



SERIES 20

Nominal widths: **G 1¼", 1½"**

Especially suitable for: **powder coating and paint industry**



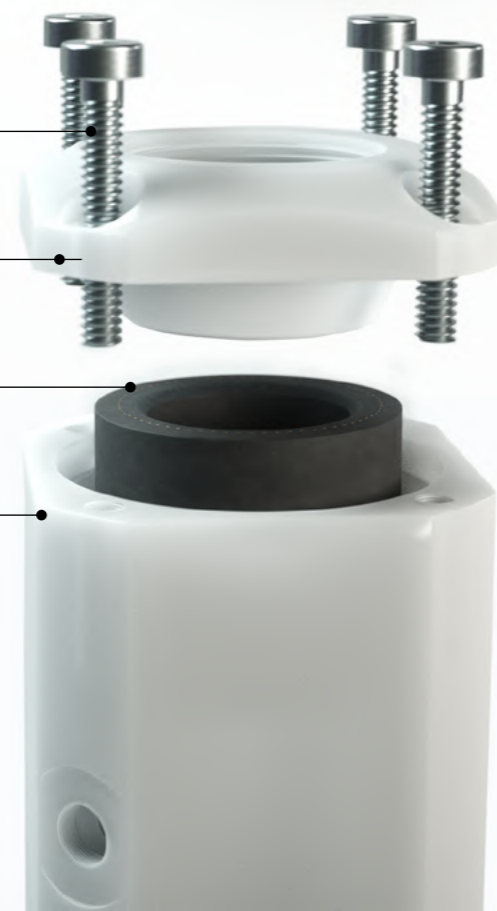
Material specifications

Screws
Galvanized steel

Threaded cover
POM plastic (polyoxymethylene), natural white

Sleeve
as selected

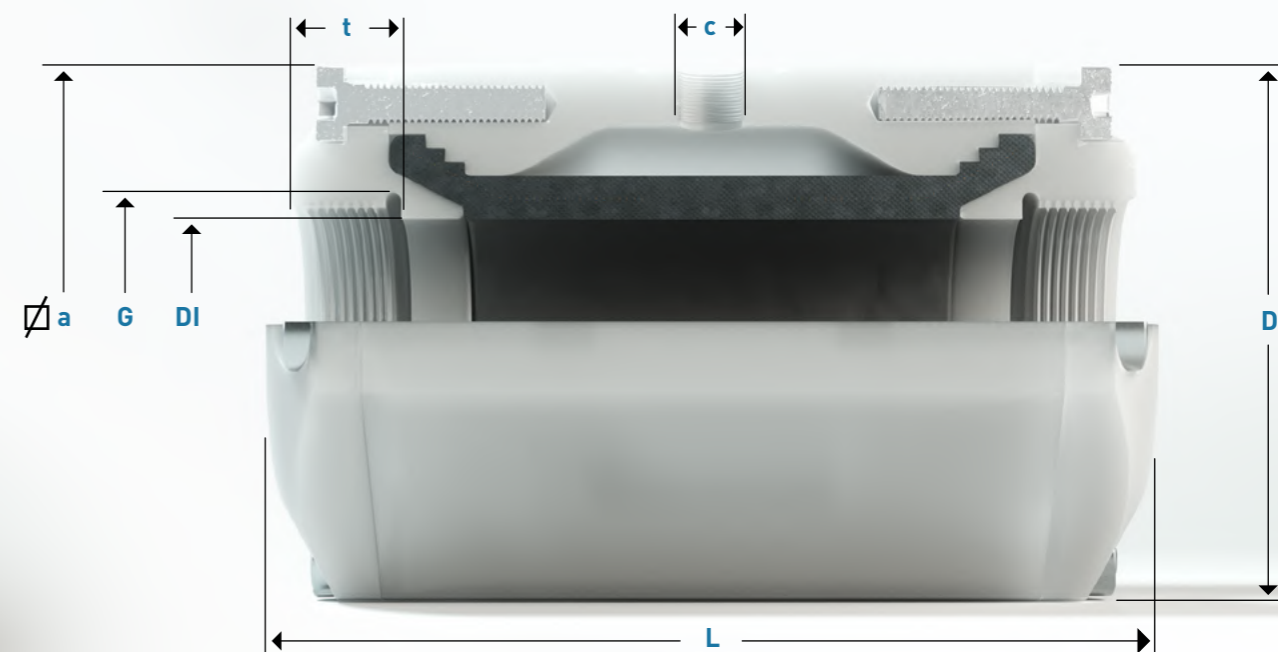
Housing (not in contact with medium)
POM plastic (polyoxymethylene), natural white



Special versions on request

Assembly videos, service instructions, spare parts, conformities etc. see: ho-matic.ch/downloads

Dimensions



DN	DI	G	t	D	L	c	a	Vol. l ¹	kg
32	32	G 1¼"	20	83	140	G ¼"	70	0,10	0,60
40	40	G 1½"	20	95	150	G ¼"	80	0,13	0,90

Vol. l¹ - Control volume for closed valve

Article number

Series	DN	Sleeve Quality								Version
		NR	NR-L	NR-LH	NBR-LH	EPDM-L	FPM	CR	CSM	Standard
20	032.	001.	011.	021.	121.	212.	303.	401.	501.	000
	040.									

Example orders

Valve complete: 20032.001.000 | **Sleeve:** 2032.001.000 | **Spare part:**

Control | Accessories

