



SERIES 10

Nominal widths: **G 1/2", 3/4", 1", 1 1/4"**
 Especially suitable for: **vehicle and apparatus manufacturing**

www.ho-matic.ch



Material specifications

Threaded cap
 POM plastic (polyoxymethylene), natural white

Clamping cone
 POM plastic (polyoxymethylene), natural white

Sleeve
 as selected

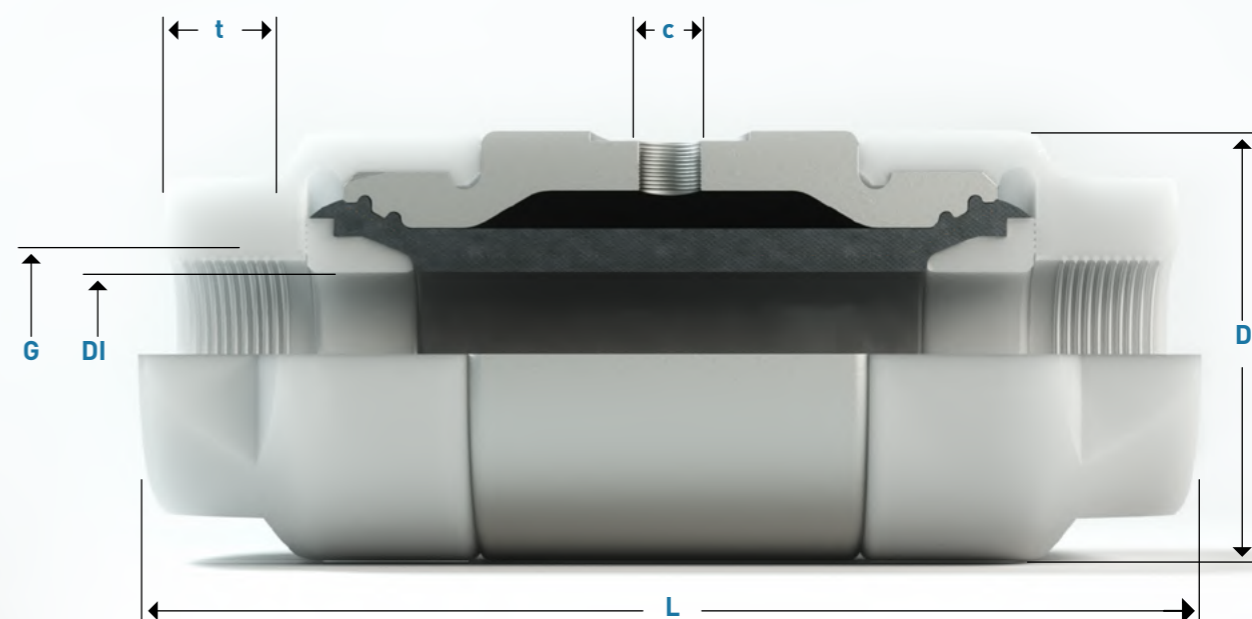
Housing (not in contact with medium)
 aluminium alloy 6026, colourless anodized

Special versions on request

Assembly videos, service instructions, spare parts, conformities etc. see: [ho-matic.ch/downloads](https://www.ho-matic.ch/downloads)



Dimensions



DN	DI	G	t	D	L	c	Vol. l'	kg
15	15	G 1/2"	14	52	120	G 1/8"	0,04	0,35
20	20	G 3/4"	16	59	140	G 1/8"	0,05	0,50
25	25	G 1"	20	65	150	G 1/8"	0,07	0,60
32	32	G 1 1/4"	22	80	180	G 1/8"	0,10	1,00

Vol. l' - Control volume for closed valve

Article number

Series	DN	Sleeve Quality								Version
		NR	NR-L	NR-LH	NBR-LH	EPDM-L	FPM	CR	CSM	Standard
10	015.	000.	010.	020.	120.	212.	303.	400.	500.	000
	020.									
	025.									
	032.									

Example orders

Valve complete: 10020.000.000 | Sleeve: 1020.000.000 | Spare part:

Control | Accessories

