



SERIES 00


Nominal widths: **G 3/8", 1/2", 3/4", 1"**
 Especially suitable for: **dosing of food & powder**



Material specifications


Screws
galvanized steel

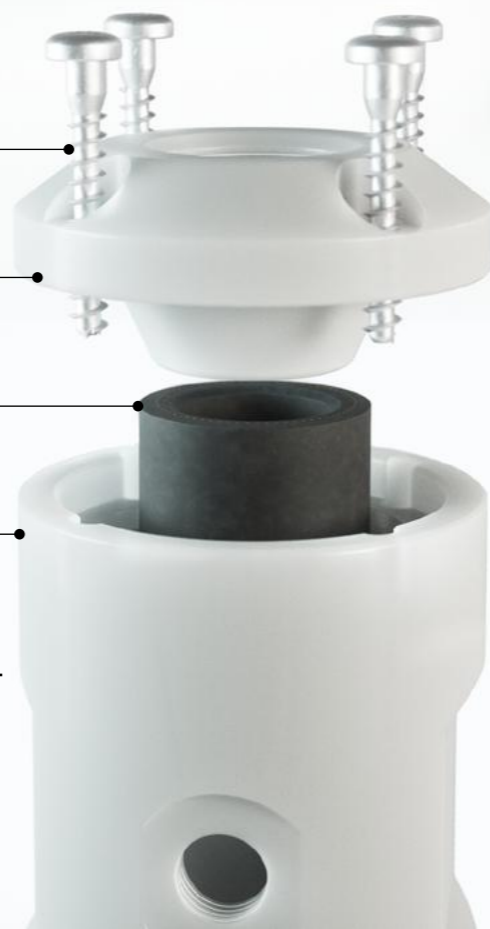
Threaded cover
POM plastic (polyoxymethylene), natural white

Sleeve
as selected 

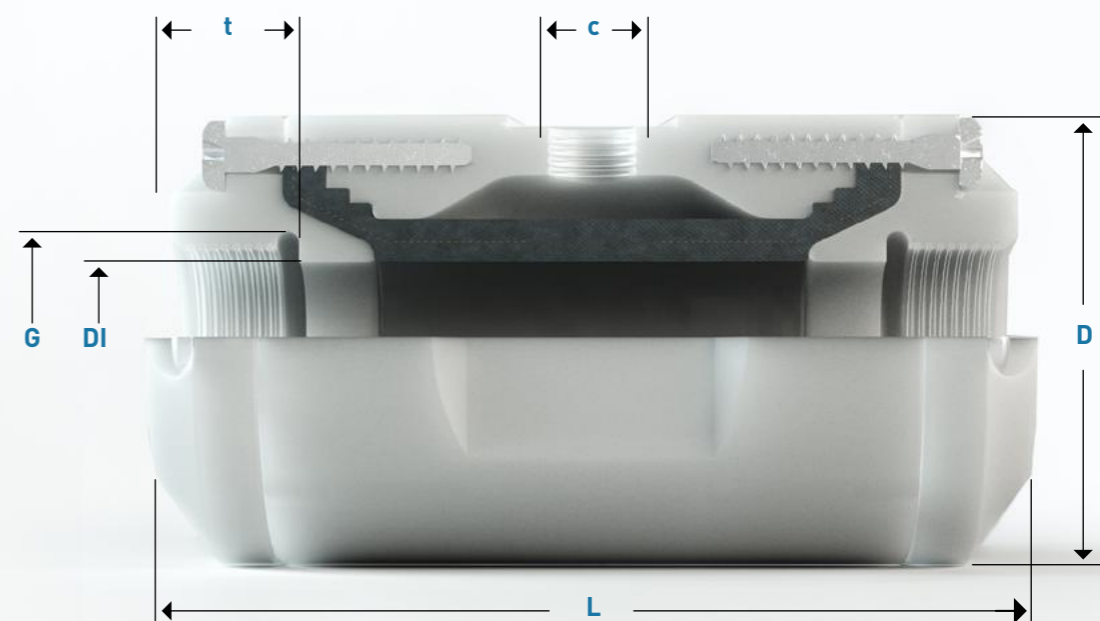
Housing (not in contact with medium)
POM plastic (polyoxymethylene), natural white

Special versions on request

Assembly videos, service instructions, spare parts, conformities etc. see: [ho-matic.ch/downloads](https://www.ho-matic.ch/downloads) 



Dimensions



DN	DI	G	t	D	L	c	Vol. l'	kg
10	10	G 3/8"	12	44	80	G 1/4"	0,03	0,14
15	15	G 1/2"	14	50	95	G 1/4"	0,04	0,20
20	20	G 3/4"	17	58	110	G 1/4"	0,05	0,30
25	25	G 1"	20	65	125	G 1/4"	0,07	0,40

Vol. l' - Control volume for closed valve

Article number

Series	DN	Sleeve Quality								Version
		NR	NR-L	NR-LH	NBR-LH	EPDM-L	FPM	CR	CSM	Standard
00	010.	001.	011.	021.	121.	212.	303.	401.	501.	000
	015.									
	020.									
	025.									

Example orders

Valve complete: 00020.001.000 | **Sleeve:** 0020.001.000 | **Spare part:**

Control | Accessories

